

SAVEMA FRICTION FEEDER VACUUM FEEDER CONVEYOR BELT



**SVM 100 - A1
FRICTION FEEDER**



**SVM 100 - A2
VACUUM FEEDER**

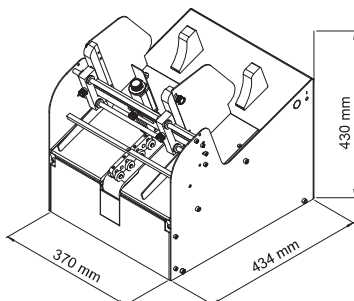


**SVM 100 - B
CONVEYOR BELT**



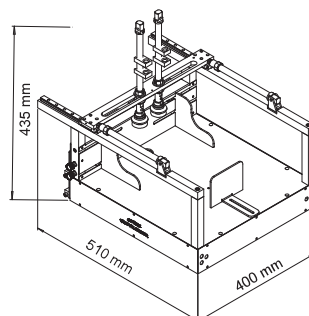
Friction Feeder Specifications

Min. Width of Product	40mm (W) x 50mm (L)
Max. Width of Product	300mm (W) x 250mm (L)
Min-Max Product Thickness	0,08 mm - 4 mm
Belt Speed	150 mm/sn.
Power	220 V - 50 Hz - 1,5 A
Weight	20 Kg



Vacuum Feeder Specifications

Min. Width of Product	100mm (W) x 100mm (L)
Max. Width of Product	300mm (W) x 320mm (L)
Power	220 V - 50 Hz - 1,5 A
Weight	14 Kg



Conveyor Belt Specifications

Min. Width of Product	40mm (W) x 50mm (L)
Max. Width of Product	300mm (W) x 250mm (L)
Belt Speed	200 mm/sn.
Power	220 V - 50 Hz - 7 A
Weight	48 Kg

