

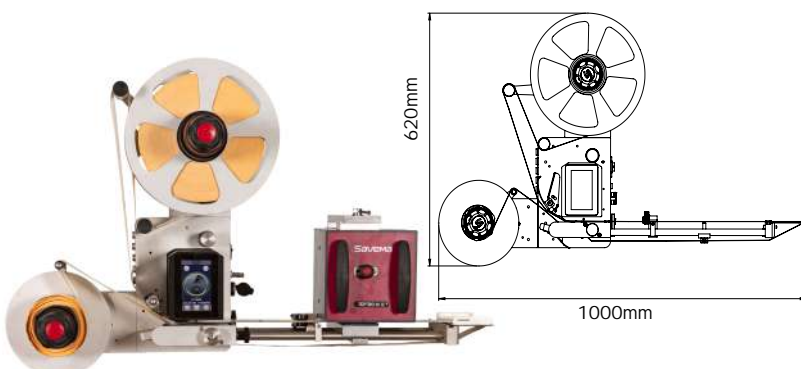
SAVEMA D-110 DISPENSER

SVM D-110

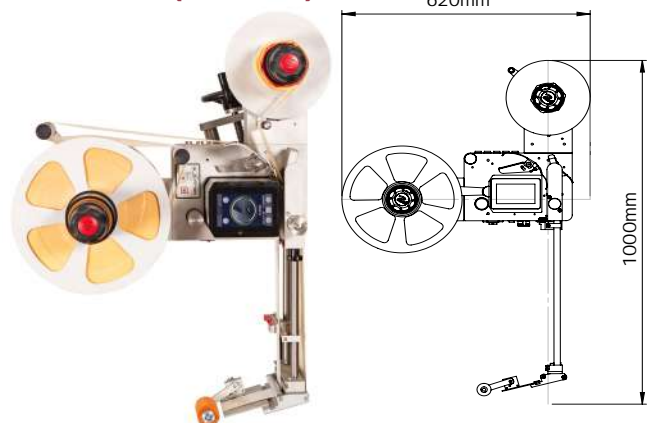


Specifications	D-110 S	D-110 F
Label Speed	Max. 30 meters/min	Max. 60 meters/min
Power Supply	100-240V AC, 500W, 50-60 Hz	
I/O Interface	Label Feeding Signal Input / Fault Signal Output, Busy Signal Output	
Interface(optional)	Modbus RTU, Modbus TCP, Ethernet TCP/IP, Can-Open, Start / Stop Signal	
Connection Types	Relay (NPN-PNP) - Photocell (NPN-PNP)	
Advanced Properties	Working with encoder or without encoder, printer can be connected (optional) blower mechanism can be connected (optional), transparent label sensor (optional), missing label error, label broken error, printer fault error	
Operation	4.3" / 272x480 pixel resolution touchscreen, user menu, setting menu, user start/stop, user administration, manual label feed	
Language	Multi-Language System(TR,EN,IT,DE,RU,AR,FR,ES,CS,NL,CN,KO,PT,EL,FA)	
Max Label Roll Diameter	300 mm	
Reel Holder	76 mm	
Max Label Width	110 mm	
Weight	25 kg	
Printers Can Be Installed	SVM 32 Intermittent Printers SVM 53 Intermittent Printers	

SVM D-110 (HORIZONTAL)

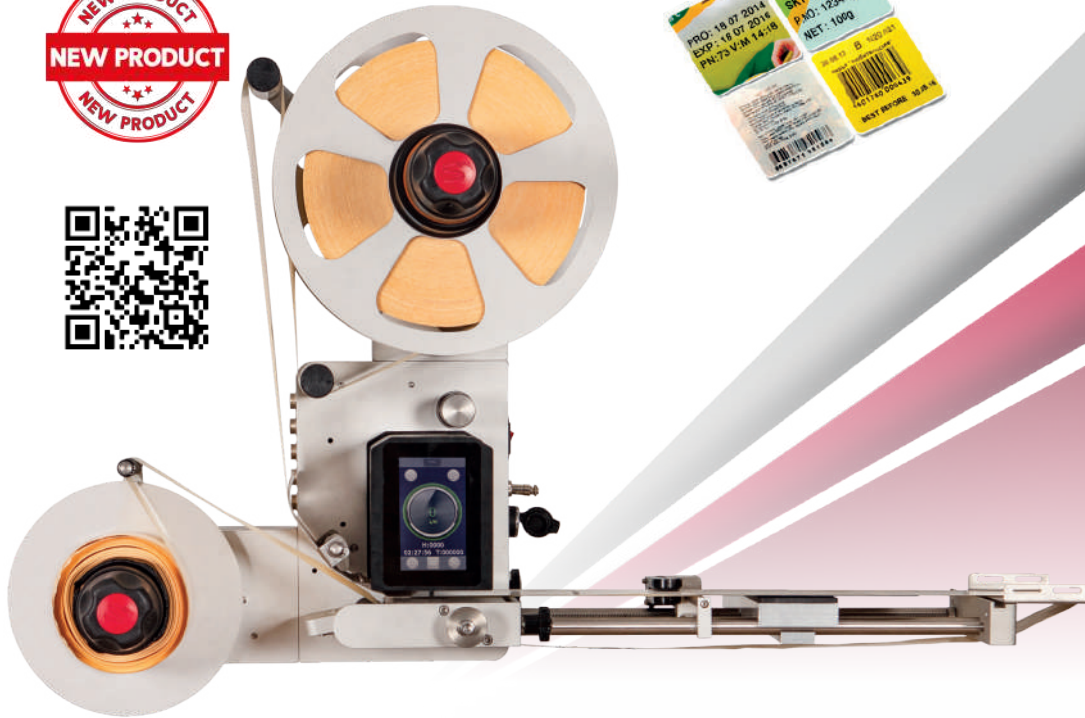


SVM D-110 (VERTICAL)



SAVEMA D-160 DISPENSER

SVM D-160



Specifications	Dispenser D-160
Label Speed	Max. 45 meters/min
Power Supply	100-240V AC, 500W, 50-60 Hz
I/O Interface	Label Feeding Signal Input / Fault Signal Output, Busy Signal Output
Interface(optional)	Modbus RTU, Modbus TCP, Ethernet TCP/IP, Can-Open, Start / Stop Signal
Connection Types	Relay (NPN-PNP) - Photocell (NPN-PNP)
Advanced Properties	Working with encoder or without encoder, printer can be connected (optional) blower mechanism can be connected (optional), transparent label sensor (optional), missing label error, label broken error, printer fault error
Operation	4.3" / 272x480 pixel resolution touchscreen, user menu, setting menu, user start/stop, user administration, manual label feed
Language	Multi-Language System(TR,EN,IT,DE,RU,AR,FR,ES,CS,NL,CN,KO,PT,EL,FA)
Max Label Roll Diameter	300 mm
Reel Holder	76 mm
Max Label Width	160 mm
Weight	30 Kg
Printers Can Be Installed	SVM 32 Intermittent Printers SVM 53 Intermittent Printers

SVM D-160 (HORIZONTAL)

SVM D-160 (VERTICAL)

