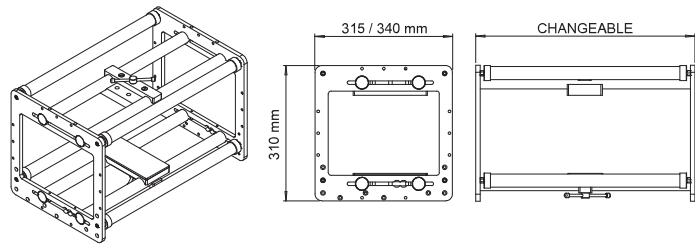
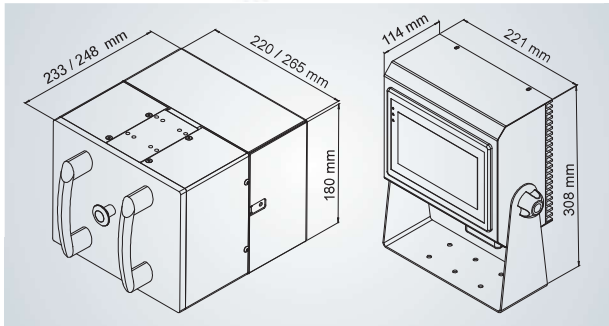


THERMAL TRANSFER OVERPRINTERS

SVM 53*70 I

SVM 53*125 I

SVM 53 C



Specifications	SVM 53 C	SVM 53*70 I	SVM 53*125 I
Print Area	53mm x 125mm (Standard) 53mm x 250mm (Optional)	53mm x 76mm	53mm x 125mm
Print Speed	10-800mm/sec.	Max. 450mm/sec.	Max. 400mm/sec.
Production	500 prints/min.	330 prints/min.	330 prints/min.
Resolution	12 dots/mm (300dpi) horizontally and vertically		
Ribbon Widths & Length	22 mm, 35 mm and 55 mm (0,9" -1,4"-2,2") / 600 meters (656 yds.) loaded ribbon		
Memory	5000 text memory, 512 Mb. Ram, 1 Gb Storage (Onboard), Up to 8 Gb SD Memory Support, Up to 16 Gb USB Memory Support, (FAT32)		
Power Supply	110/220V 50/60 Hz		
Air Supply (Bar)	min. 1 bar - max. 4 bar		
Weight (Printer)	9,4 Kg.		11 Kg.
Dimensions	180mm H x 220mm W x 233mm D		180mm H x 248mm W x 265mm D
Operating Temperature	5° -50° (41-104 °F)		
Operator Interface	7" 800x480 pixels resolution, Full-color display, Password protection on menus, Multi-language(18) support		
Outputs	Fault signal, Busy signal.		
Connection Types	Internal Contact Mode, Trigger Contact Mode, Relay(NPN, PNP) Photocell(NPN, PNP)	Relay(NPN, PNP) Photocell(NPN, PNP)	
Software	SAYASIS Label Design(Real time date and time, text, counter, logo, shift codes, 1D/2D barcodes, GS-1 barcodes and GS-1 Creation Wizard support), Windows Printer Driver(32-64 bit), Teklynx Software(Codesoft, Labelview, and Labelmatrix), Emulator support, Managing printer via SPPL (Savema Protocol) commands, Working with all True-Type fonts (if font doesn't pre-loaded, it must be imported to printer), Remote display control from PC, .csv file support for database		
Communications	RS-232(PC), LAN(Ethernet), USB		
Ribbon Save Modes	Vertical Ribbon Save Modes	Horizontal and Vertical Ribbon Save Modes	
Advanced Control	Contrast, Print Delay, Saving Templates with Pre-used Settings, Signal Outputs (Busy and Fault Output)	Settings "Home Position", Contrast, Print Delay, Saving Templates with Pre-used Settings, Signal Outputs(Busy and Fault Output)	
Barcodes	1D barcodes(EAN-13, EAN-8, CODE 128, CODE 39, CODABAR, ITF 2of5, ITF 14, UPC-A,UPC-E), 2D Barcodes(Datamatrix, QR Code, PDF417, Azteccode), GS-1 Barcodes(GS1-128, GS1-Datamatrix, GS1-Databar barcodes)		